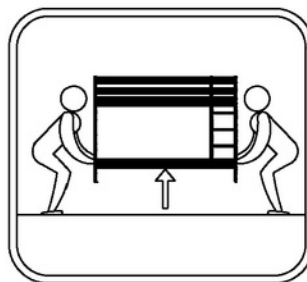
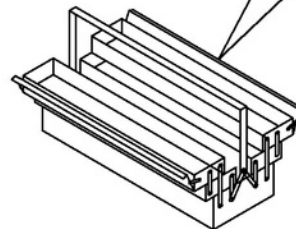
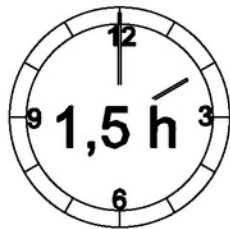
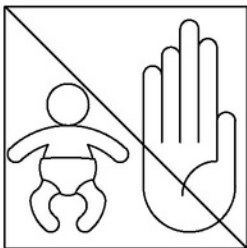
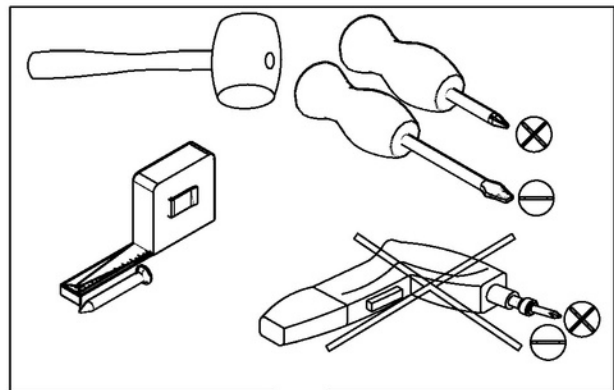
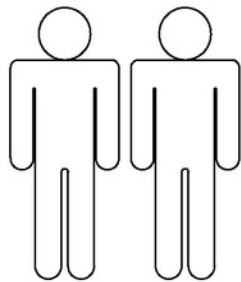
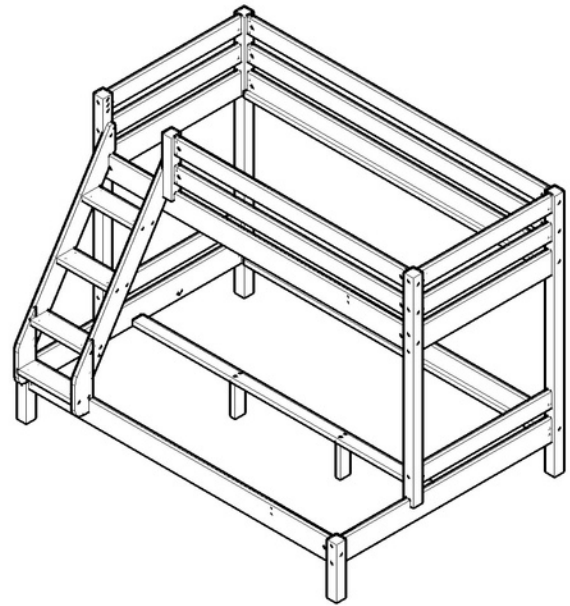
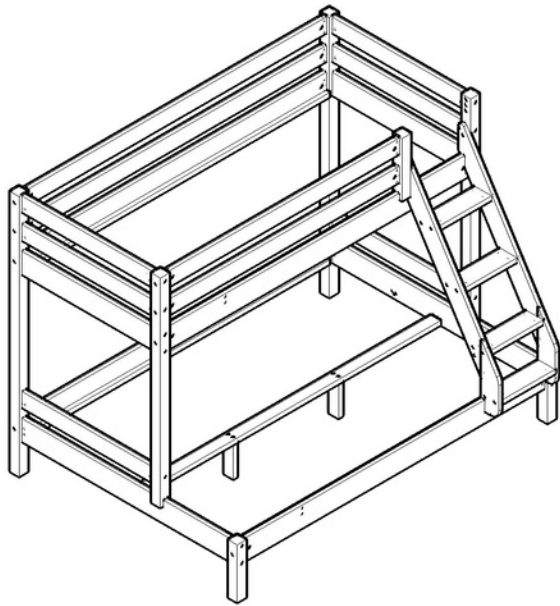
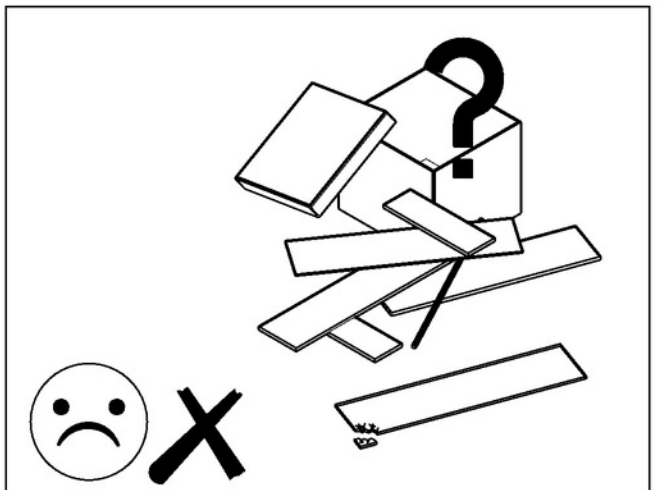
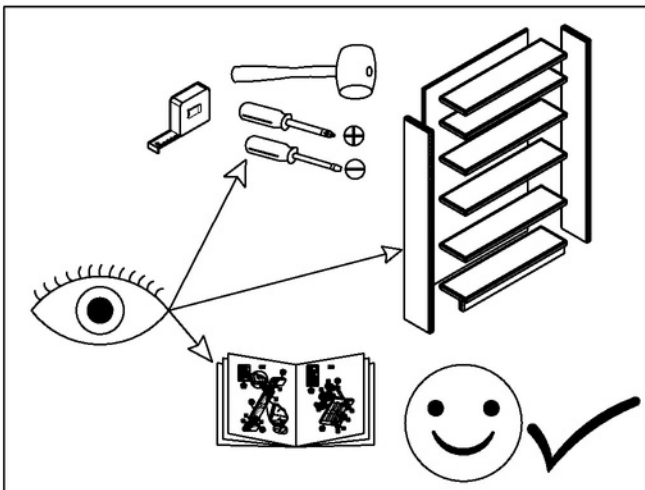
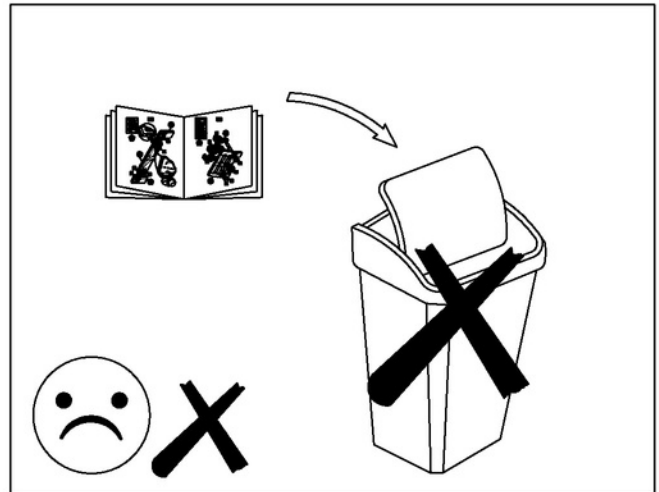
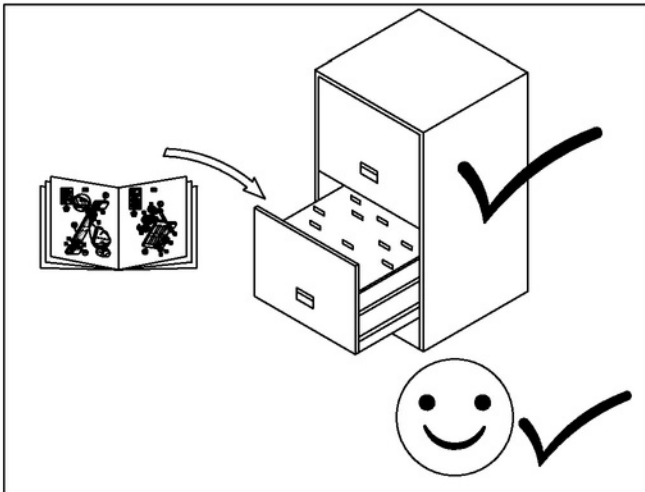
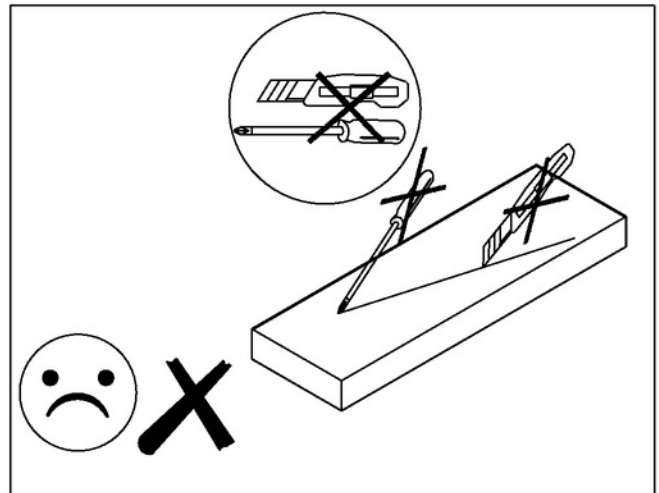
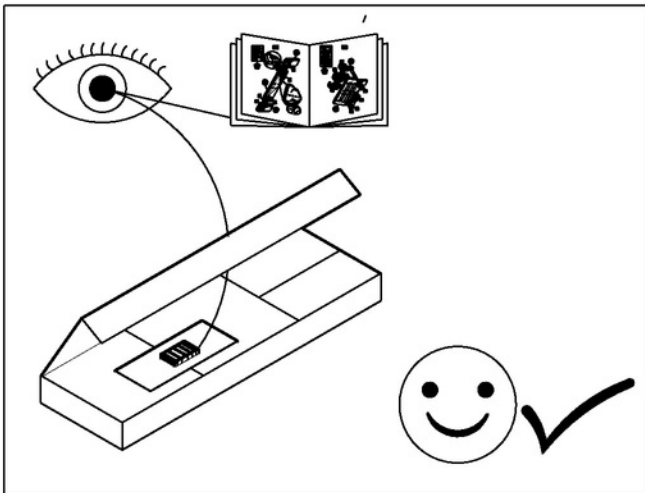
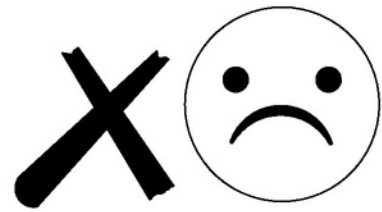
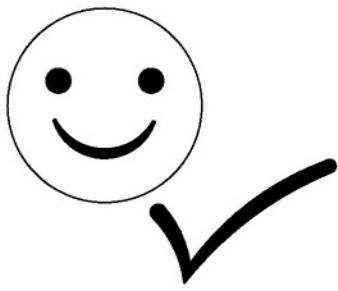
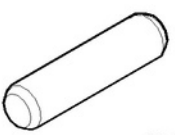
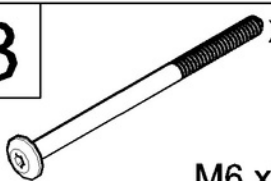
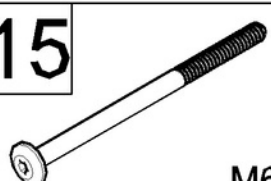
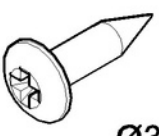
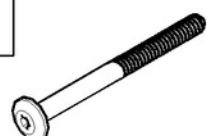
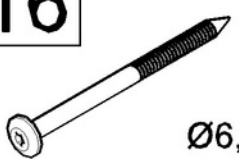
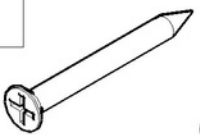
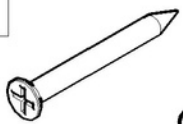

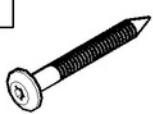
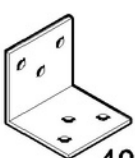





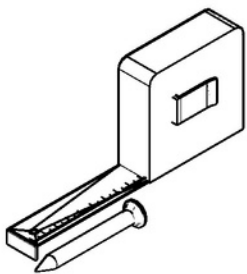


# ARARAT

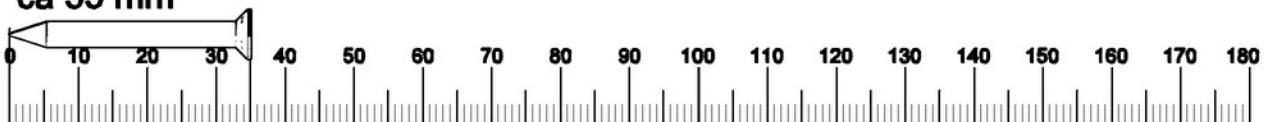


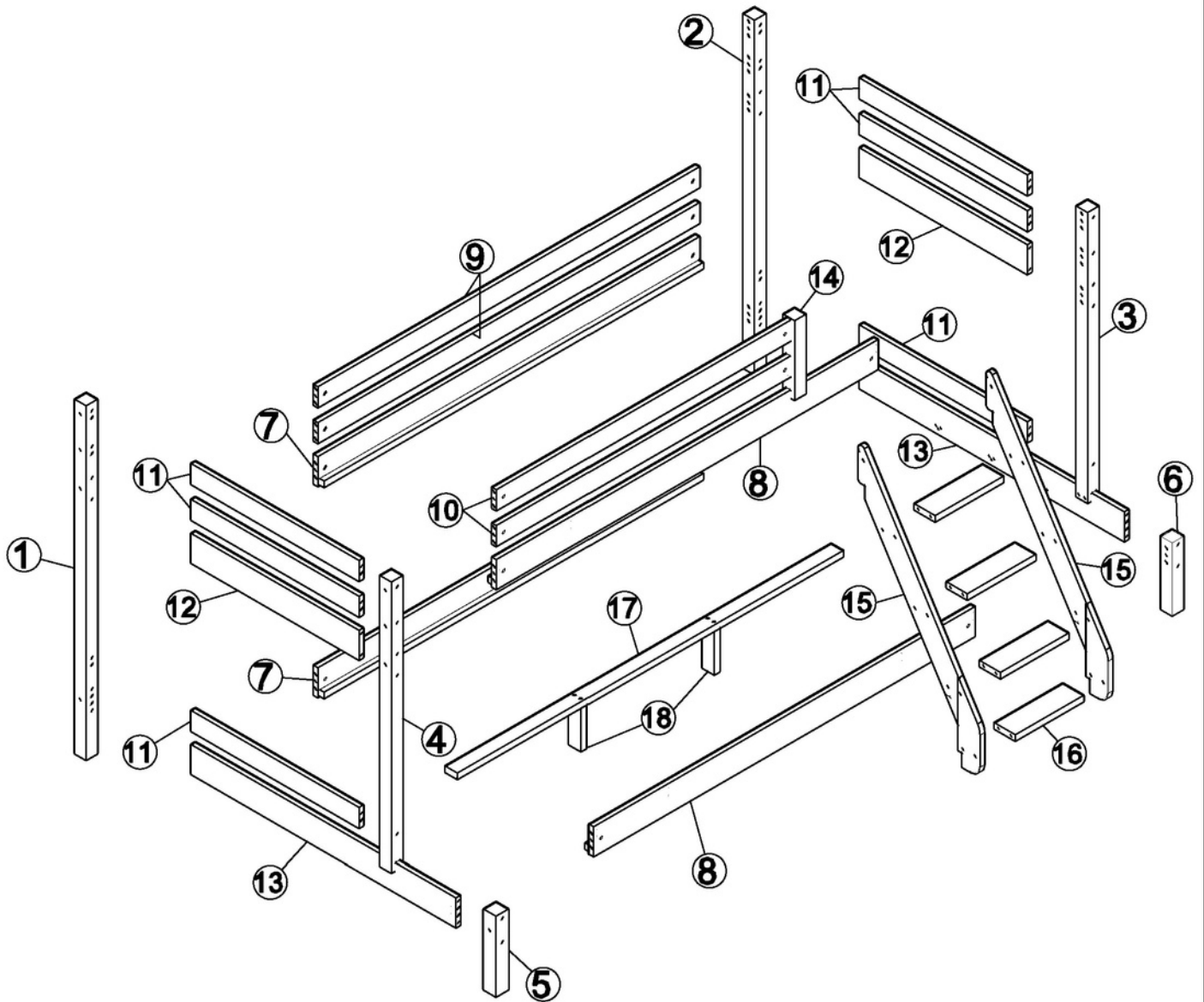


<b>K7</b>  x 52 Ø10 x 50	<b>J13</b>  x 15 M6 x 100	<b>J15</b>  x 1 M6 X 120
<b>S3</b>  x 10 Ø3,5 X 16	<b>J9</b>  x1 M6 X 70	<b>S16</b>  x 28 Ø6,3 x 110
<b>S8</b>  x 4 Ø4 X 60	<b>S7</b>  x 14 Ø4 x 50	<b>H4</b>  x 16 Ø10/M6 x 13
<b>S11</b>  x 16 Ø6,3 x 50	<b>B3</b>  x 2 40x40x40	<b>Q1</b>  x1
<b>F2</b>  x 1 HEX 4 mm	<b>D11</b>  x2 Ø8	<b>D9</b>  x4 Ø10
<b>H7</b>  x 1 M6/Ø8 x 15		

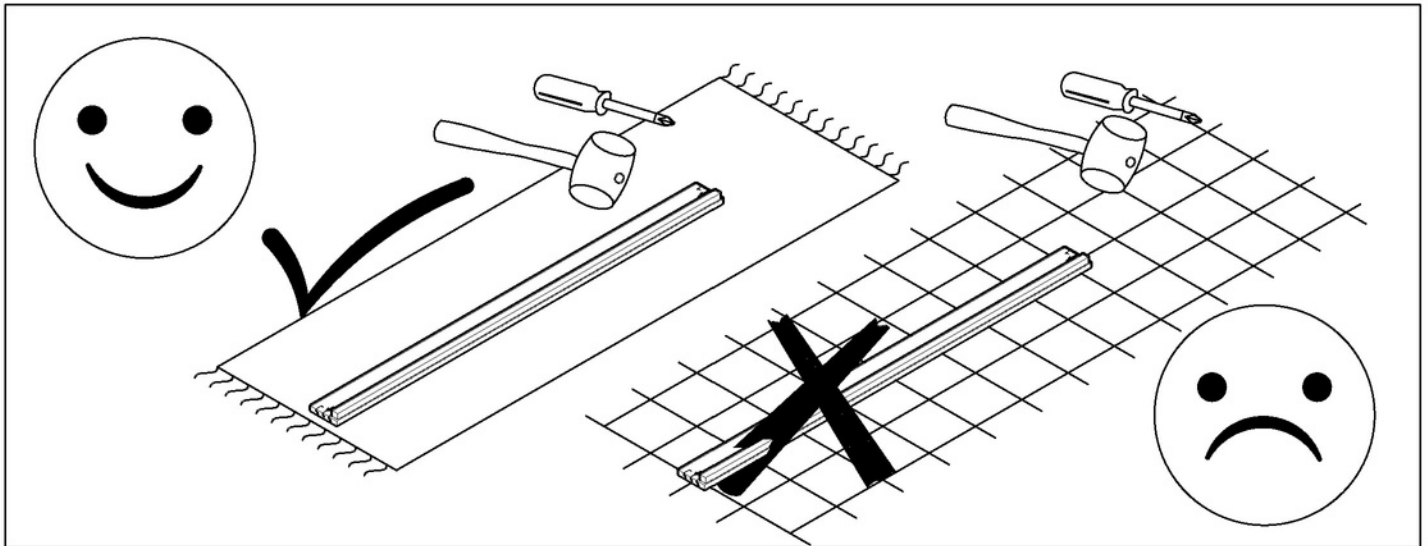


ca 35 mm





No	Σ	L X B X T(MM)	✓	No	Σ	L X B X T(MM)	✓
<b>1</b>	<b>1</b>	1590 X 56 X 56		<b>13</b>	<b>2</b>	1364 X 130 X 20	
<b>2</b>	<b>1</b>	1590 X 56 X 56		<b>14</b>	<b>1</b>	352 X 56 X 56	
<b>3</b>	<b>1</b>	1295 X 56 X 56		<b>15</b>	<b>2</b>	1075/423 X 110 X 20	
<b>4</b>	<b>1</b>	1295 X 56 X 56		<b>16</b>	<b>4</b>	350 X 105 X 25	
<b>5</b>	<b>1</b>	335 X 56 X 56		<b>17</b>	<b>1</b>	1985 X 60 X 25	
<b>6</b>	<b>1</b>	335 X 56 X 56		<b>18</b>	<b>2</b>	205 X 60 X 25	
<b>7</b>	<b>2</b>	1964 X 130 X 20					
<b>8</b>	<b>2</b>	1964 X 130 X 20					
<b>9</b>	<b>2</b>	1964 X 90 X 20					
<b>10</b>	<b>2</b>	1518 X 90 X 20					
<b>11</b>	<b>6</b>	864 X 90 X 20					
<b>12</b>	<b>2</b>	864 X 130 X 20					

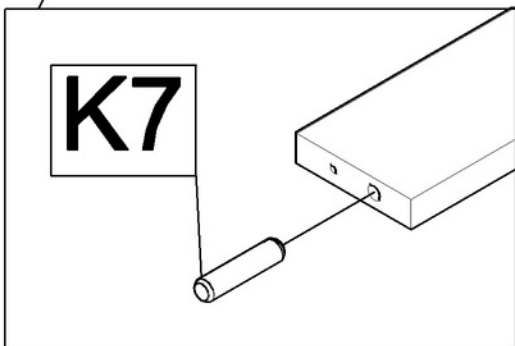


**K7** x 12  
 Ø10 X 50

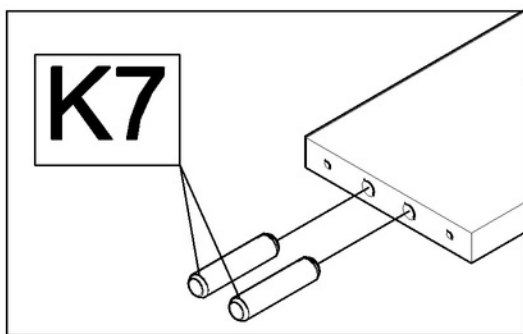
**Q1** LEIM x 1

1

x6



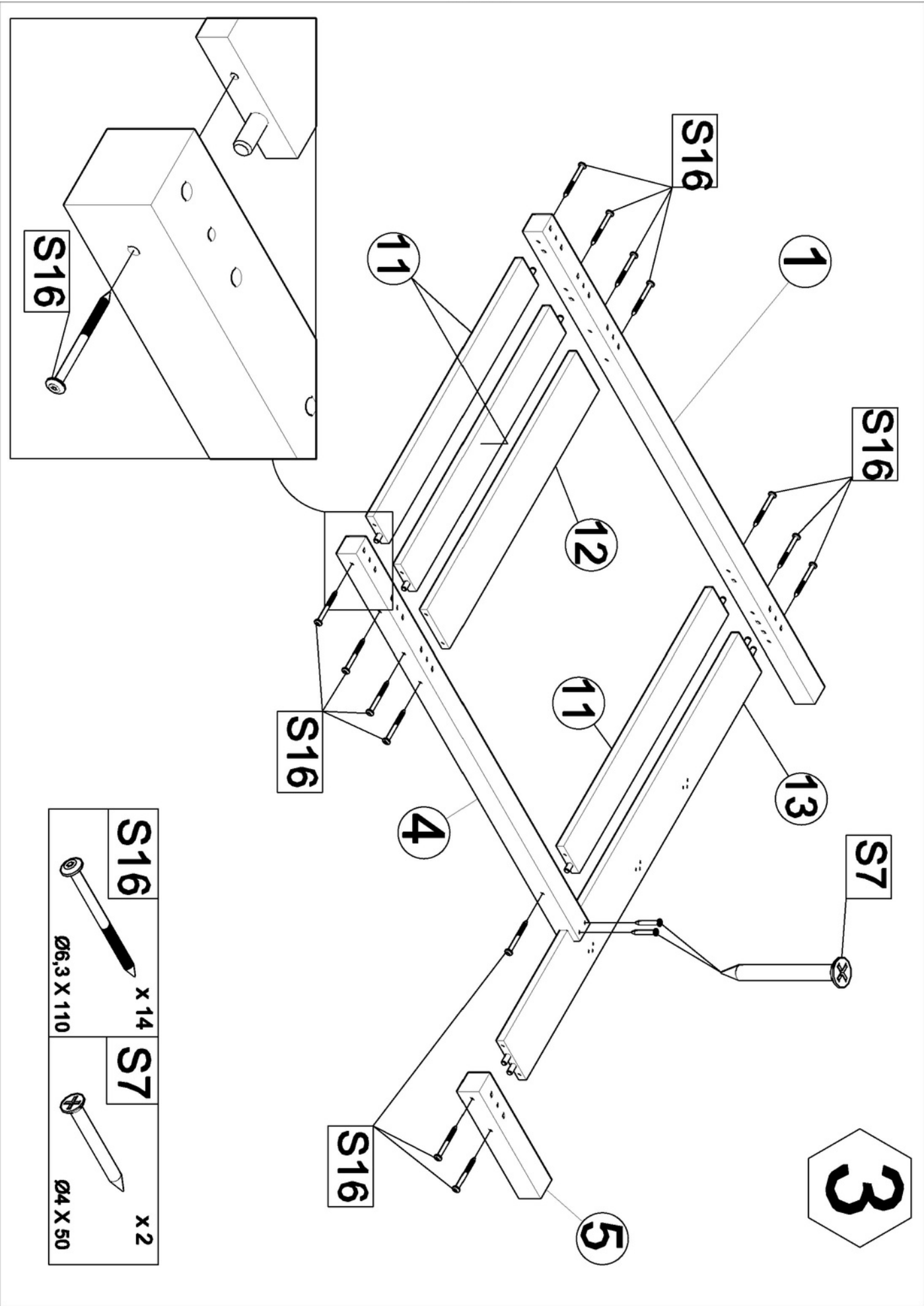
2



x2

**Q1** LEIM x 1

**K7** x 8  
 Ø10X 50



3

S7

S16

S16

1

12

11

13

4

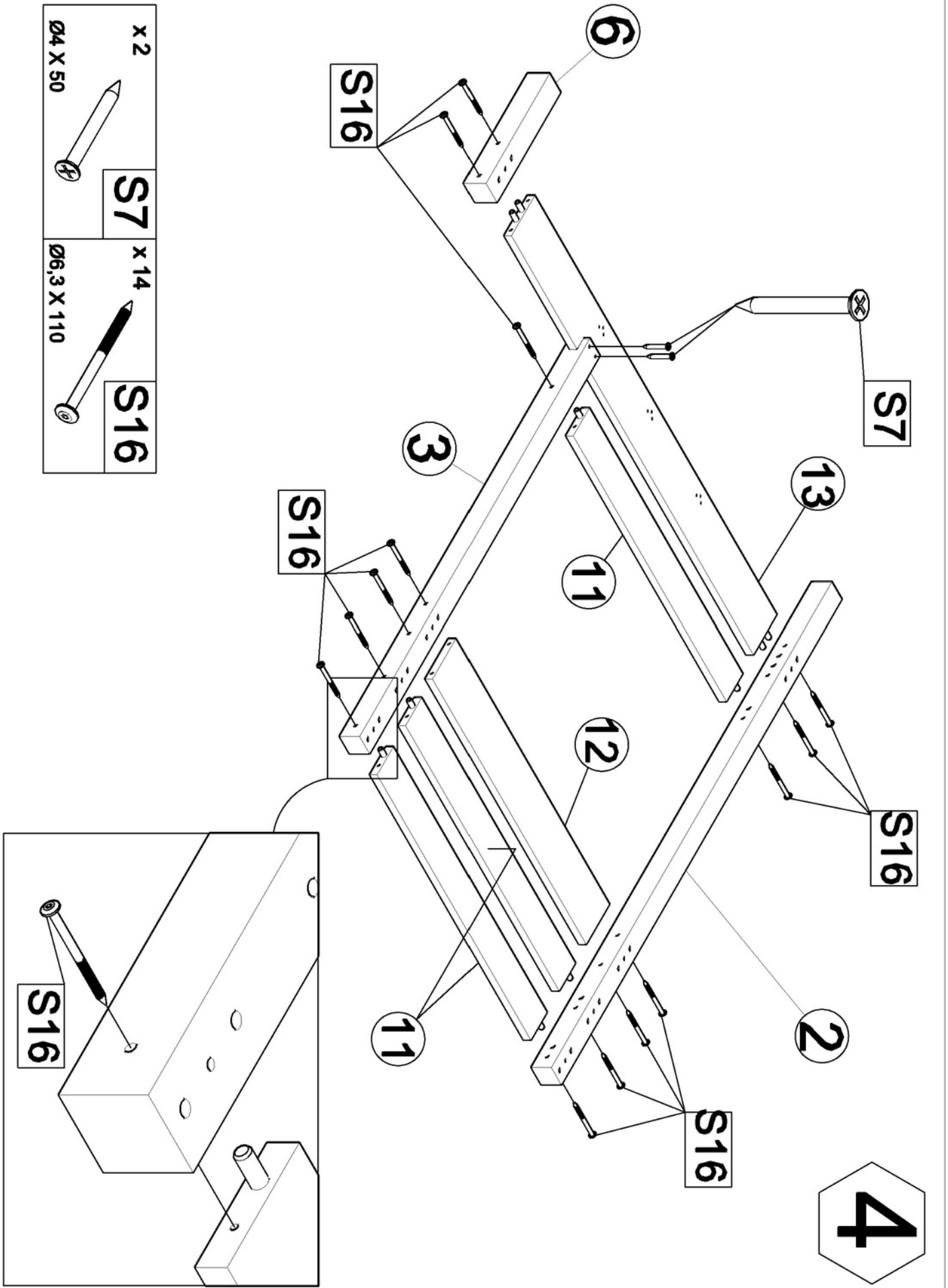
S16

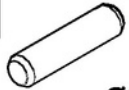

S16

5

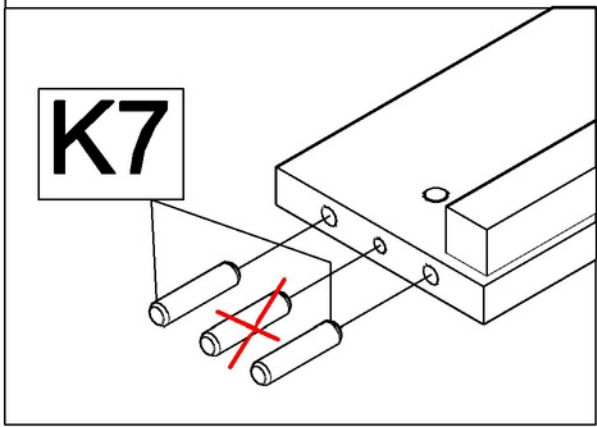
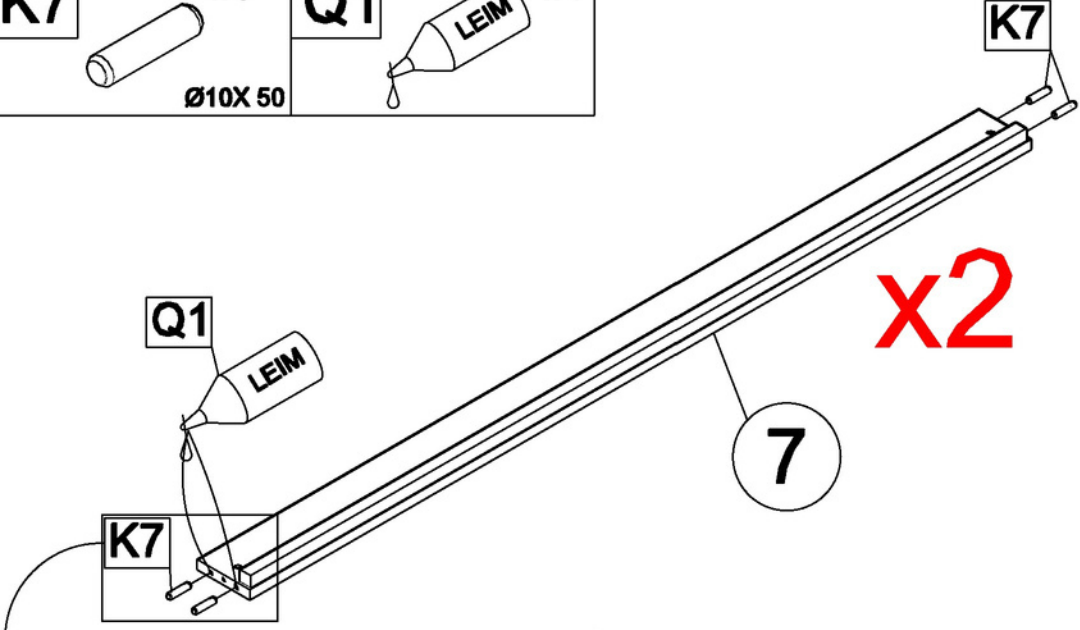
11

S16

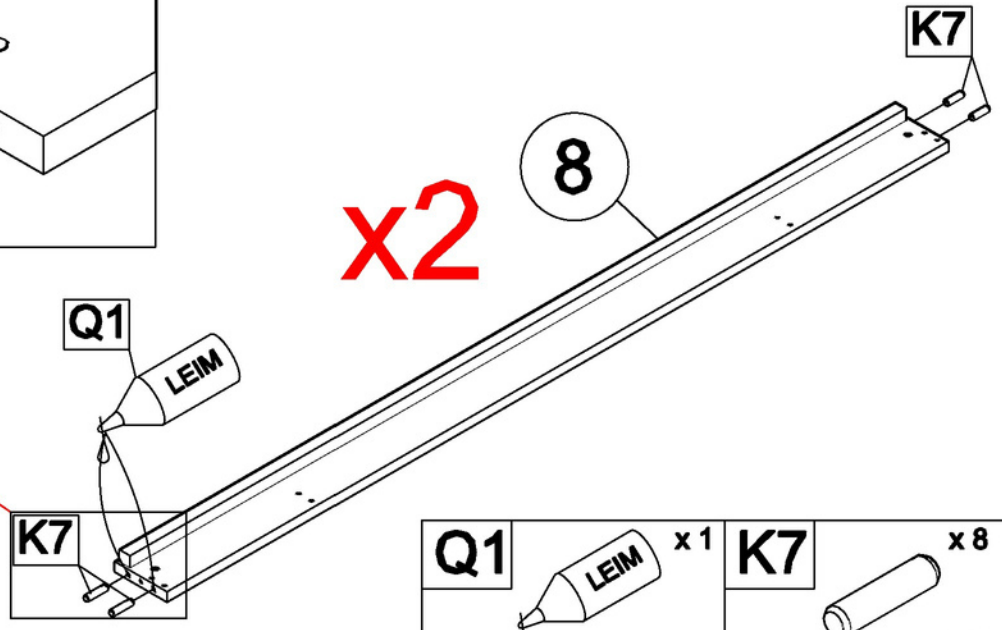
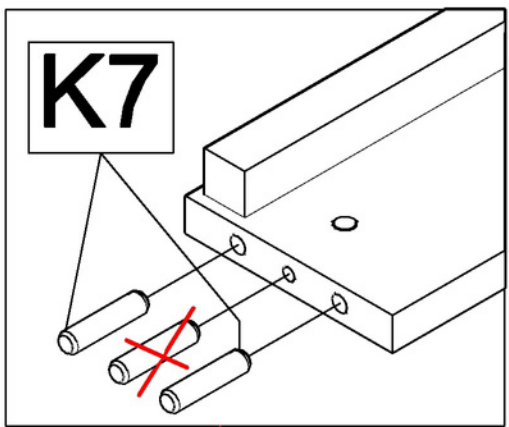


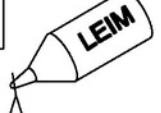
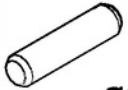
<b>K7</b>	x 8	<b>Q1</b>	x 1
			
Ø10X 50		LEIM	

**5**

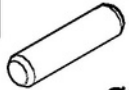



**6**

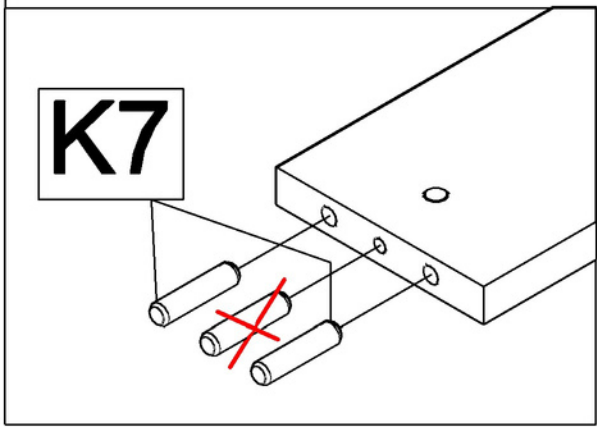
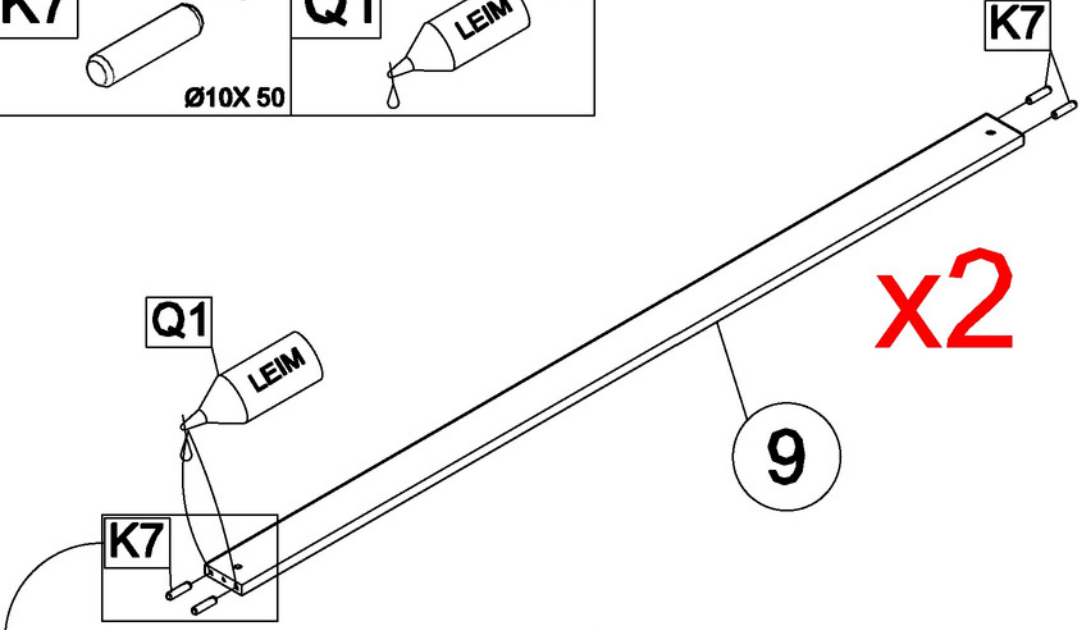


<b>Q1</b>	x 1	<b>K7</b>	x 8
			
LEIM		Ø10X 50	

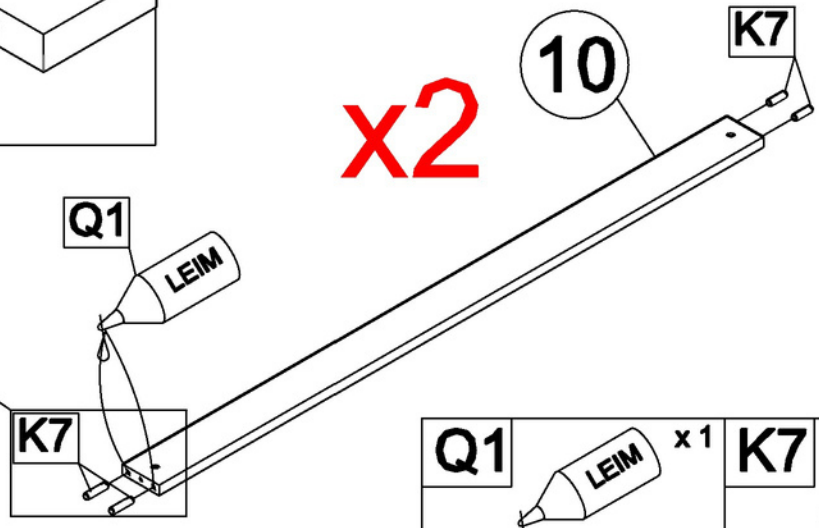
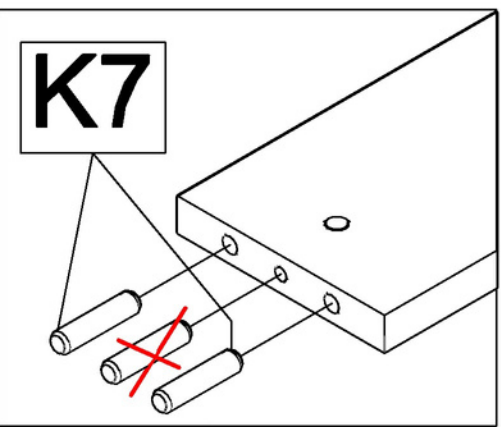



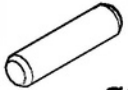
<b>K7</b>	x 8	<b>Q1</b>	x 1
			
Ø10X 50		LEIM	

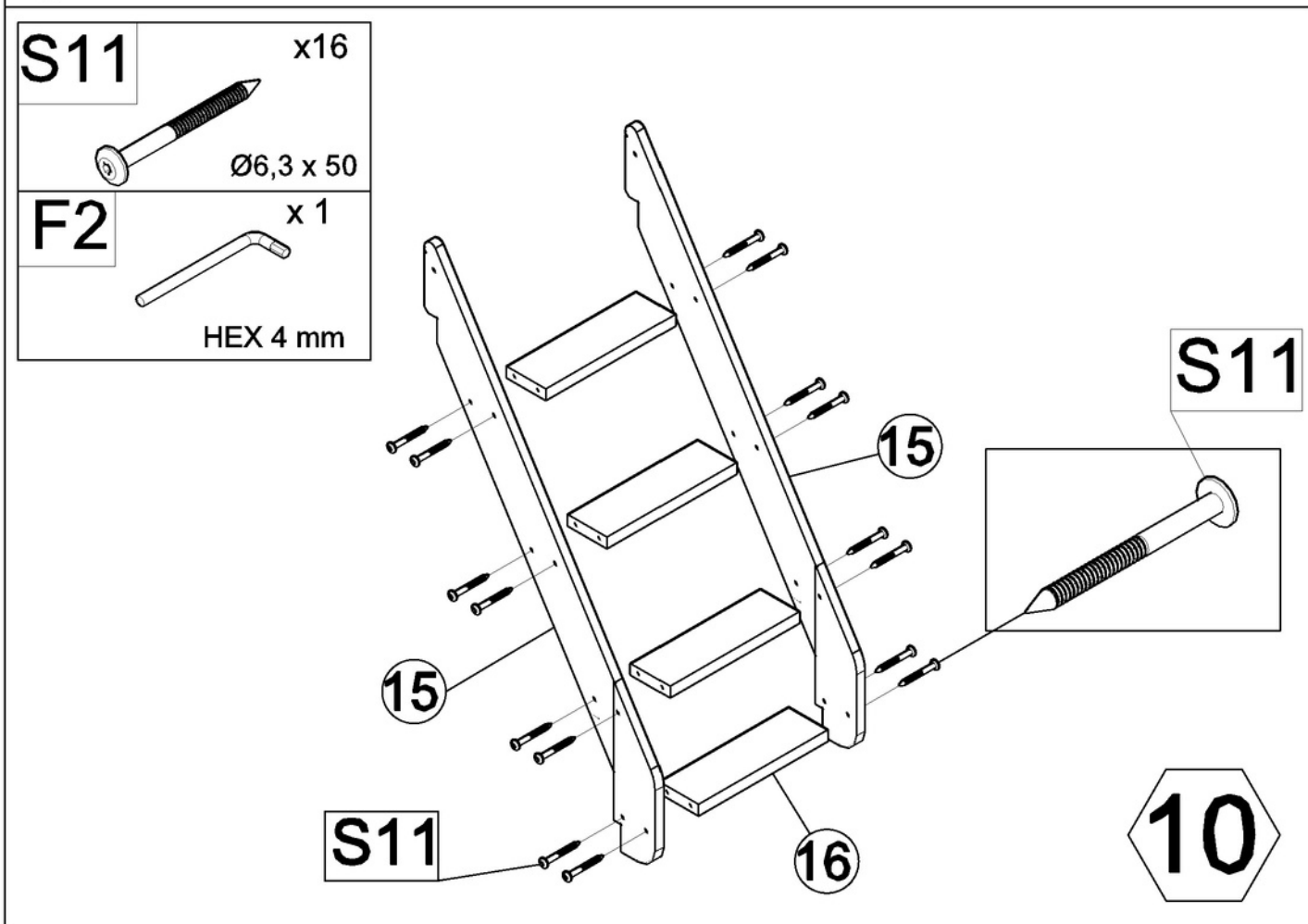
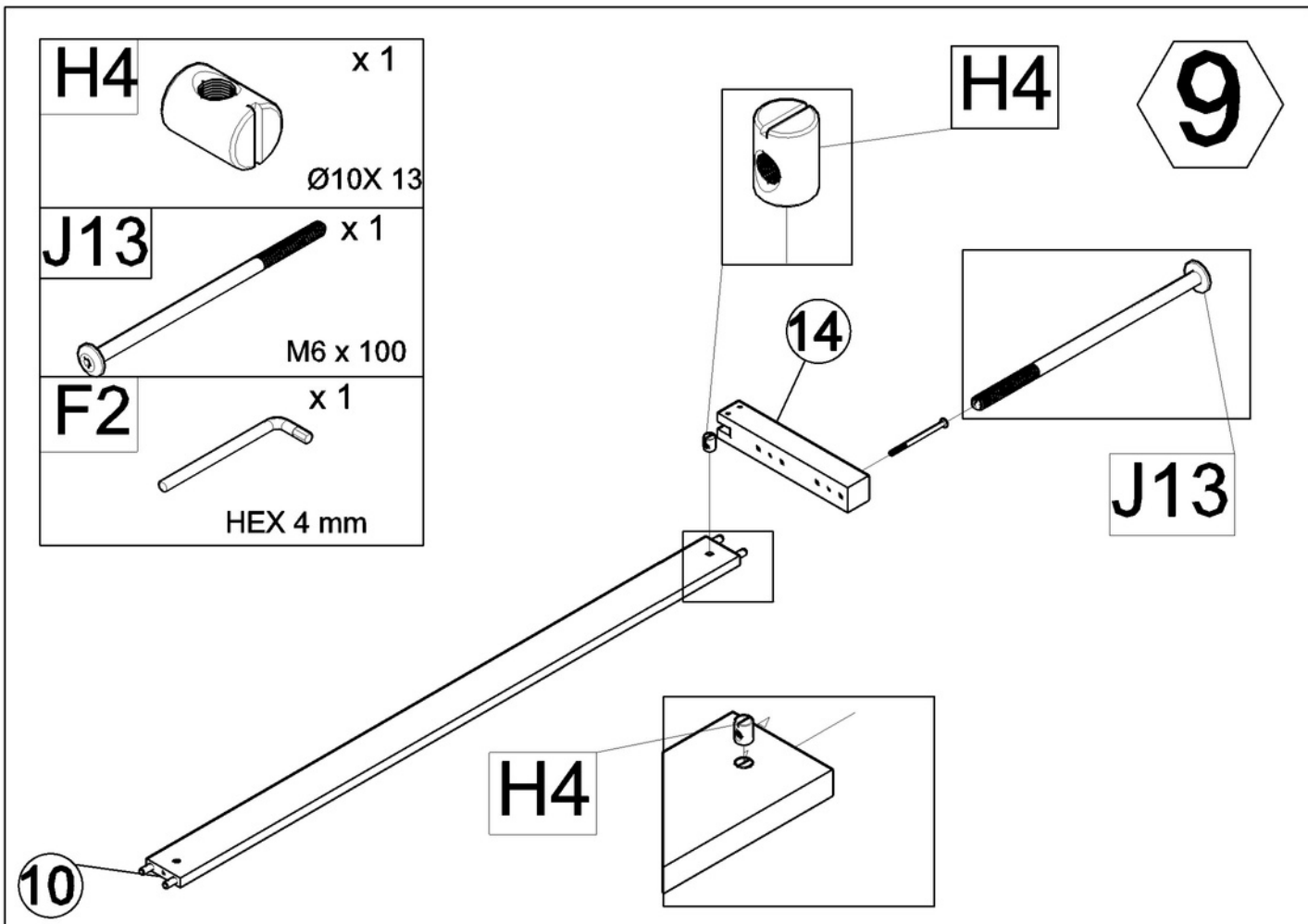
**7**






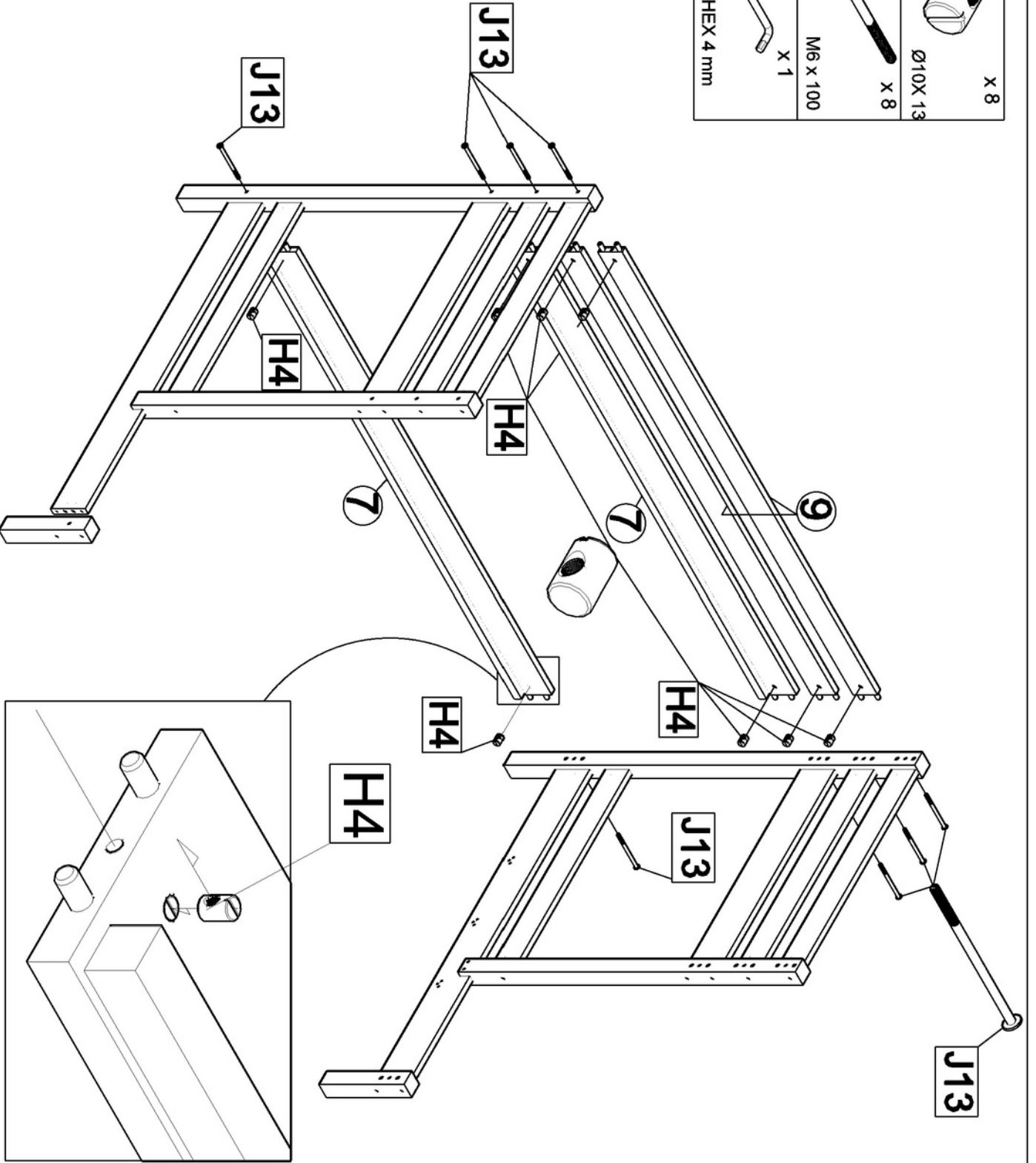
**8**







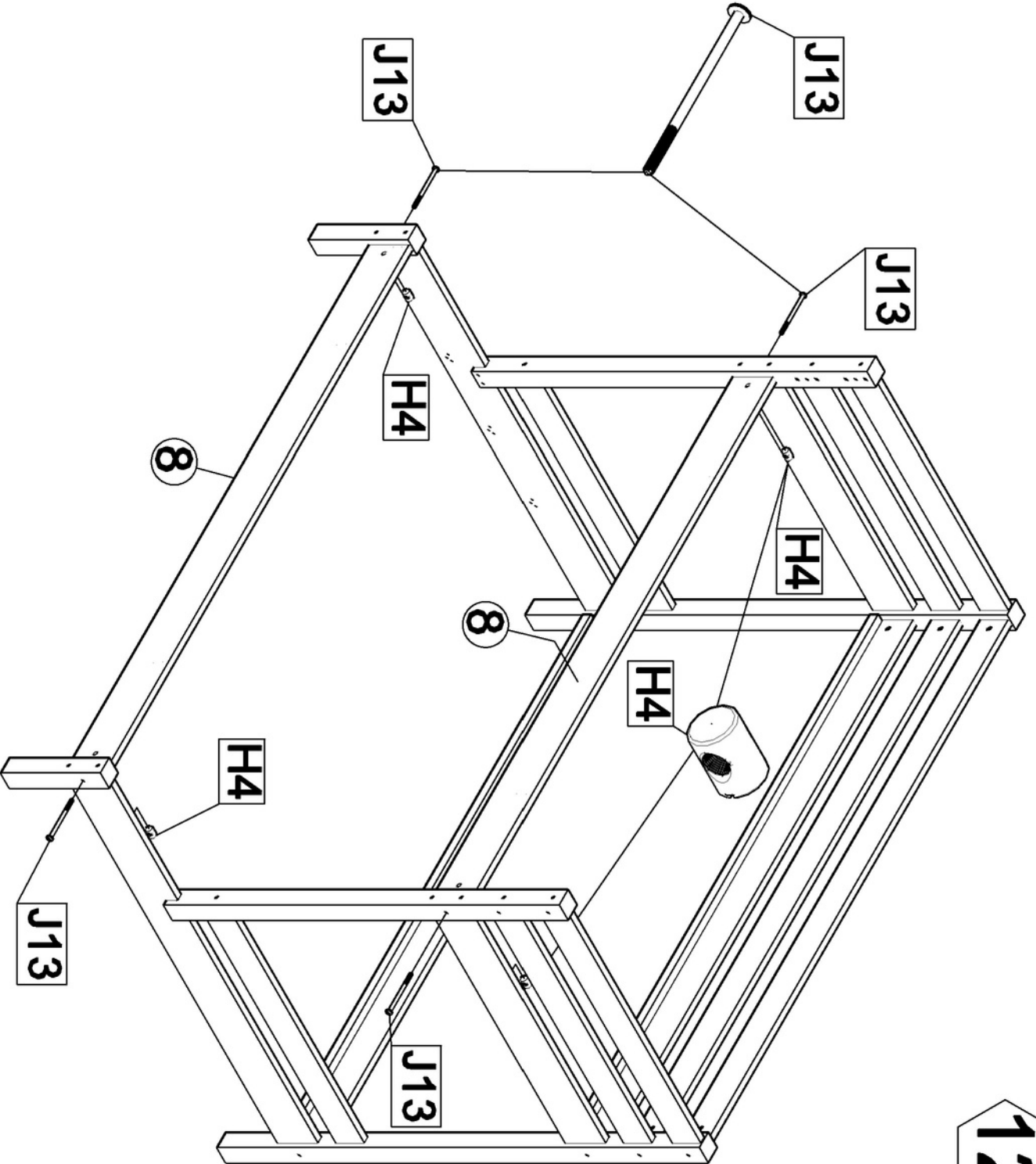
<b>Q1</b>	x 1	<b>K7</b>	x 8
			
LEIM		Ø10X 50	


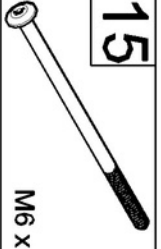
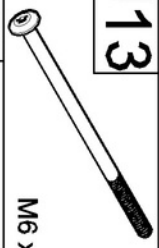


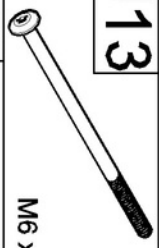








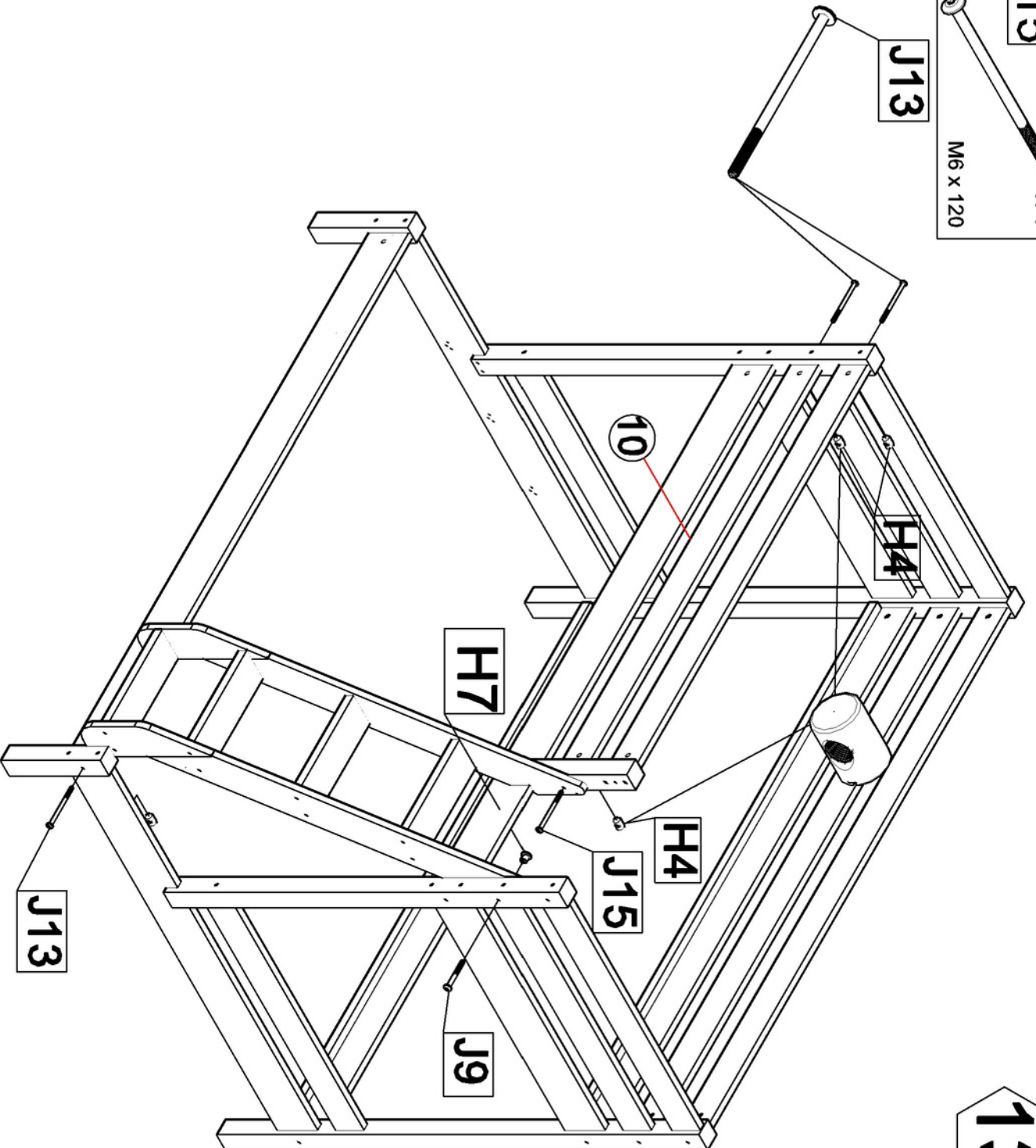
H4		x 8
J13		x 8
F2		x 1
M6 x 100		
HEX 4 mm		



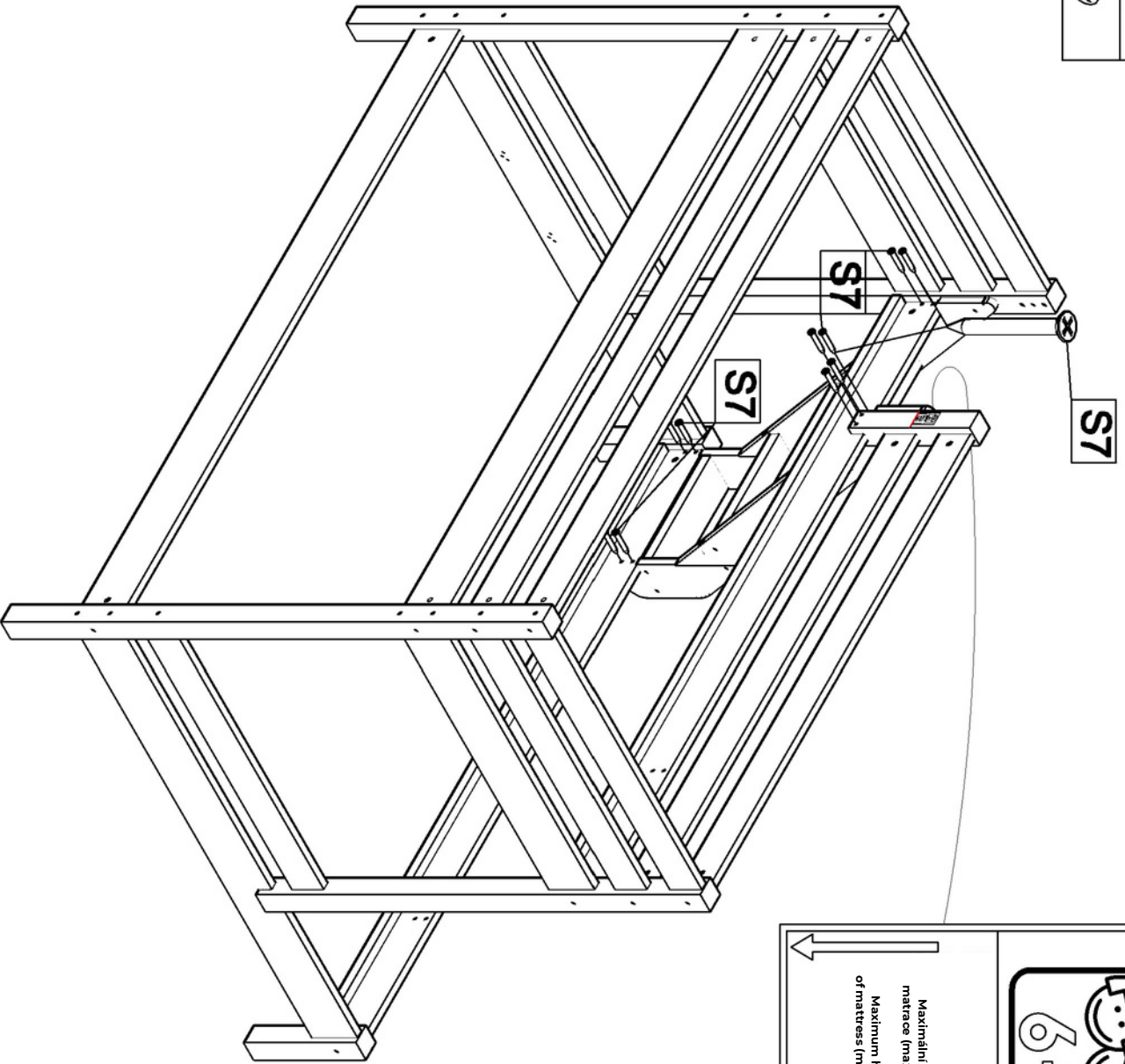
<b>H4</b>		x 4
<b>J13</b>		x 4 Ø10X 13
<b>F2</b>		x 1 M6 x 100
		x 1 HEX 4 mm




<b>H4</b>  x 3	<b>J15</b>  x 1
<b>J13</b>  x 2	<b>J13</b>  x 1
<b>F2</b>  x 1	<b>J13</b>  x 2
<b>J9</b>  x 1	<b>F2</b>  x 1
<b>H7</b>  x 1	<b>J9</b>  x 1
<b>H7</b>  x 1	<b>H7</b>  x 1









x 10  
Ø4 X 50  
**S7**

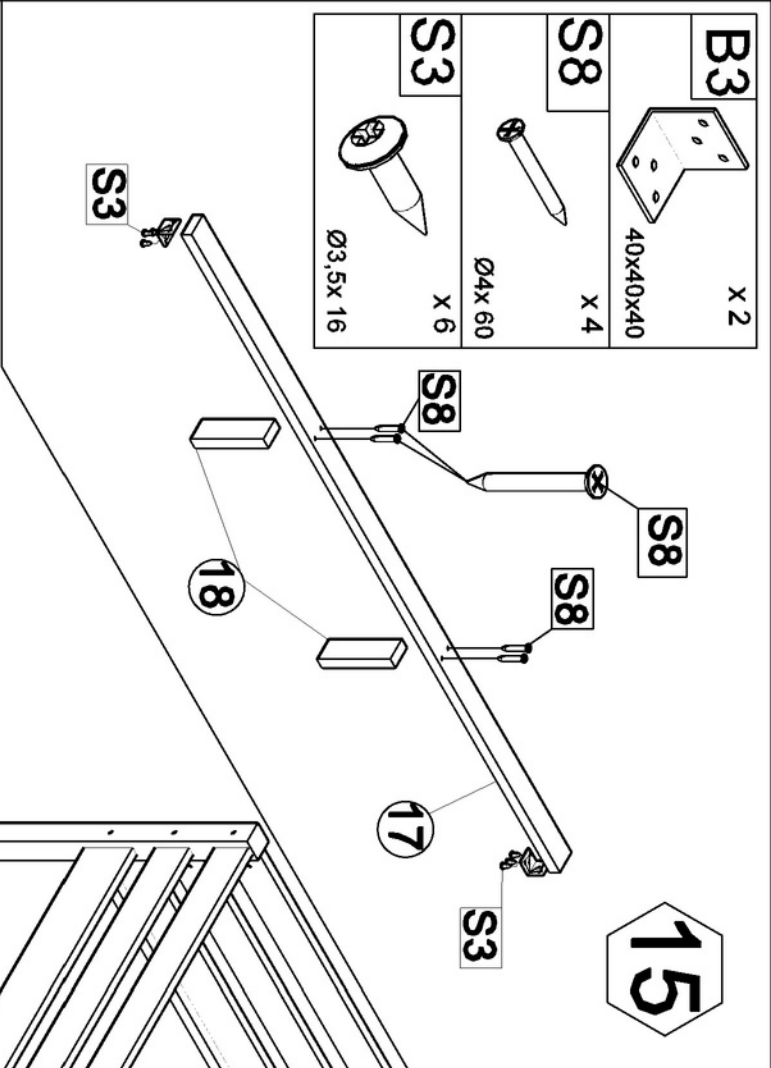


	<p>Maximální výška matrace (max. 18 cm) Maximum height of mattress (max. 18 cm)</p>
---	---

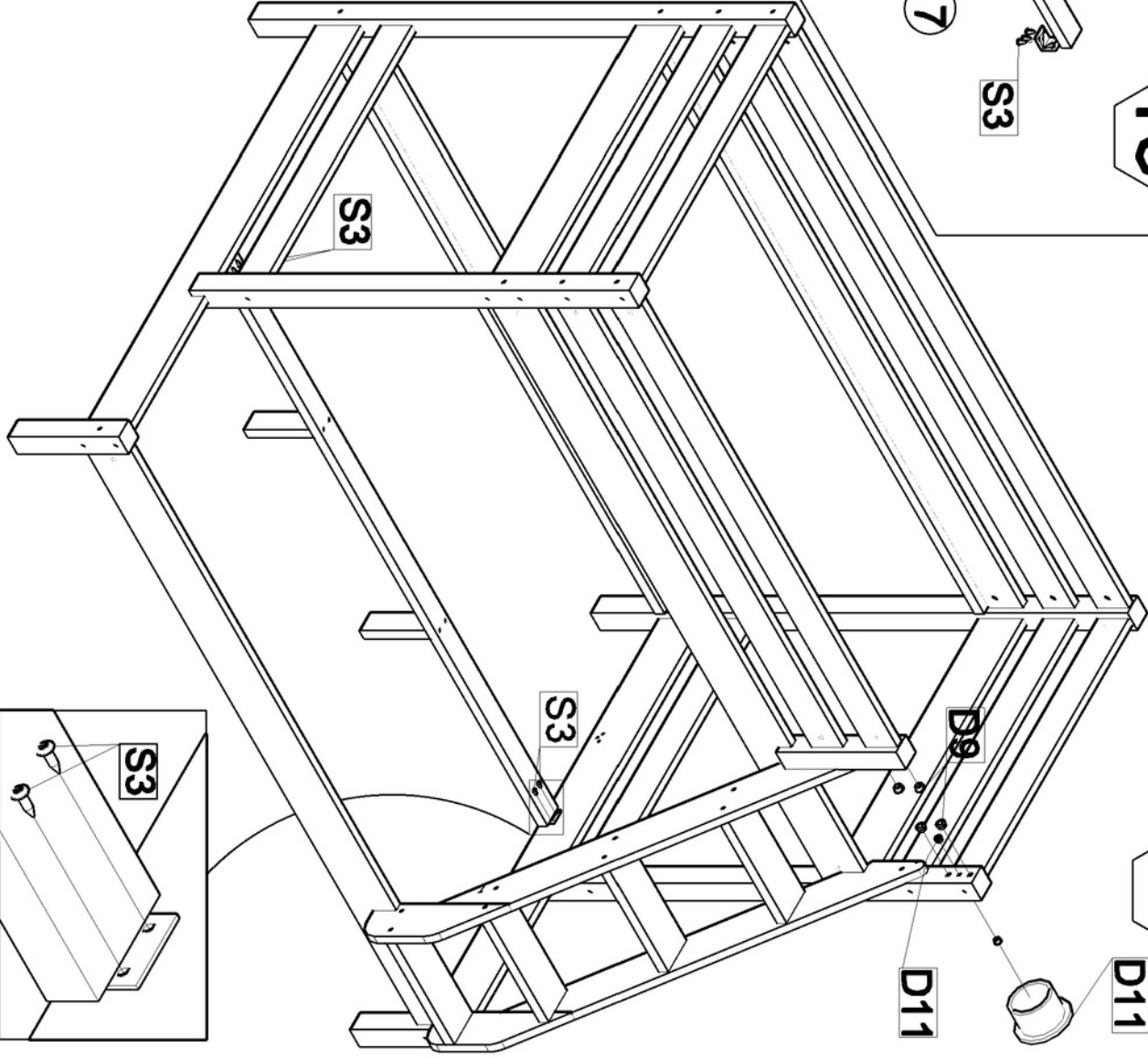
**14**

<b>B3</b>		40x40x40	X 2
<b>S8</b>		Ø4x 60	X 4
<b>S3</b>		Ø3,5x 16	X 6

<b>D11</b>		Ø8	X 2
<b>D9</b>		Ø10	X 4
<b>S3</b>		Ø3,5x 16	X 4



15



16

